



T120 Series TCXO

10 to 100 MHz

(Rev B)

GREENRAY INDUSTRIES, INC.

PRECISION QUARTZ TECHNOLOGY

Low Noise TCXO
Tight Stability

SPECIFICATIONS

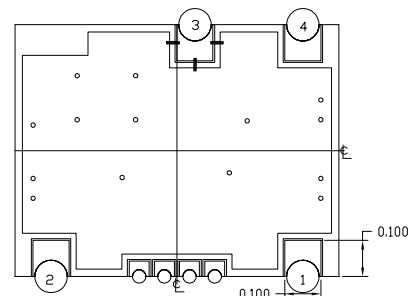
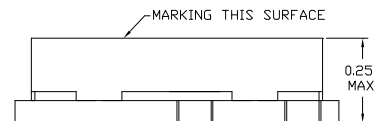
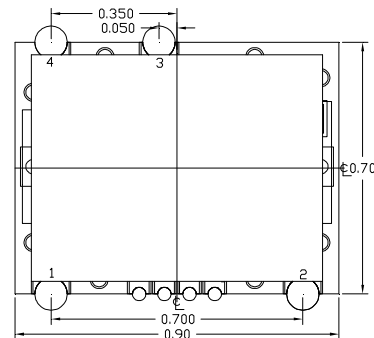
Frequency	10.0 to 100.0MHz		
Output	Squarewave, CMOS		
Load	15pF ±10%		
Symmetry	50% ± 10%		
Rise/Fall Time	≤10ns		
Temp Stability	Temp Range	Tolerance	Option
	-40 to +85°C	±5x10 ⁻⁷	T57
	-40 to +85°C	±1x10 ⁻⁶	T16
	Ramp rate of up to 5°/minute; shall meet spec within 1 minute of turn-on.		
Freq vs. Supply Aging	±1x10 ⁻⁷ for a 5% change		
Supply Voltage	<1.0ppM/year		
Input Current	+3.3V or +5.0 VDC ± 5%		
Phase Noise	Offset	dBc/Hz (10M)	dBc/Hz (100M)
(typical)	10 Hz	-95	-70
	100 Hz	-125	-100
	1 kHz	-145	-125
	10 kHz	-155	-145
	100kHz	-155	-160
Frequency Adjust	±6.0 ppm typical, positive slope, 0V to Vsupply EFC		

Environmental

- Shock - per MIL-STD-202, Meth 213, Cond K
- Vibration - per MIL-STD-202, Meth 202, Meth 201A
- Storage Temp - -55 to +85°C

Ordering Example:

T120-T57-3.3-70.0MHz
(Model-Stability-InpV-Freq)



Pad Connections:

- Pad 1 - Output
- Pad 2 - EFC
- Pad 3 - Gnd
- Pad 4 - Supply V

840 West Church Rd., Mechanicsburg, PA 17055

Tel: 717-766-0223 Fax: 717-790-9509

www.greenrayindustries.com email: sales@greenrayindustries.com