



**T124 series TCXO**  
650Hz to 1.25MHz  
Rev. A

GREENRAY INDUSTRIES, INC.

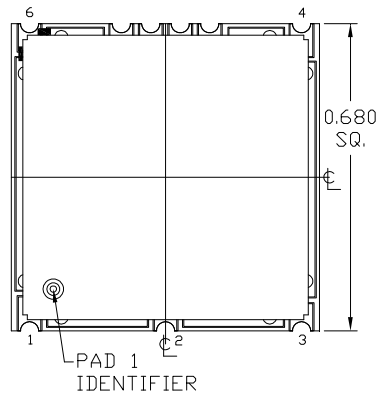
PRECISION QUARTZ TECHNOLOGY

Low Frequency TCXO  
Tight Temp Stability

**SPECIFICATIONS**

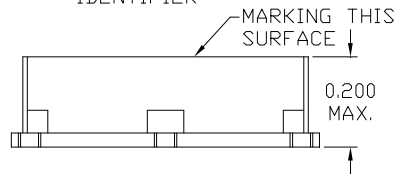
<b>Frequency</b>	650 Hz to 1.25 MHz		
<b>Output</b>	CMOS Squarewave		
<b>Output Level</b>	0 to +0.2 max to Vcc - 0.2V min		
<b>Symmetry</b>	50/50 ±5%		
<b>Temp Stability</b>	<b>Temp Range</b>	<b>Tolerance</b>	<b>Option</b>
	-20°C to +70°C	±0.3ppM	N37
	-20°C to +70°C	±0.5ppM	N57
	-40°C to +85°C	±0.3 ppM	T37
	-40°C to +85°C	±0.5 ppM	T57
	-40°C to +85°C	±1.0 ppM	T16
<b>Voltage Stability</b>	±0.3ppM for a 5% change		
<b>Load Stability</b>	±0.3ppM for a 5% change		
<b>Aging</b>	<0.5 ppM/yr		
<b>Freq Adjust</b>	±7ppM typ with 0 to +3.0VDC EFC		
<b>Supply Voltage</b>	+3.3 VDC ± 5%		
<b>Supply Current</b>	< 20mA		

**Environmentalals**  
Vibration – per MIL-STD-202F, Meth 214,  
Cond II F  
Shock – per MIL-STD-202F, Meth 213,  
90g's pk, ½ sine, 5ms  
Storage Temp -54 to +105°C



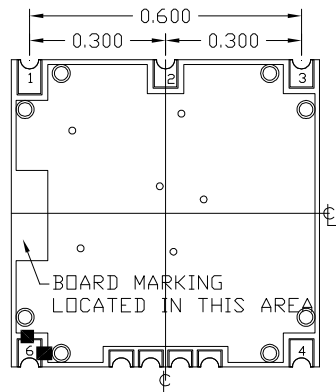
Ordering Example:

T124-T16-10.0kHz  
(Model-Stability-Freq)



**Pad Connections**

- 1 - Output
- 2 - N/C
- 3 - Vsupply
- 4 - N/C
- 6 - 0 V & Case Gnd



NOTES:  
1. UNMARKED PADS ARE NC AND FOR INTERNAL USE ONLY

840 W. Church Rd., Mechanicsburg, PA 17055

Tel: 717-766-0223 Fax: 717-790-9509

www.greenrayindustries.com email: sales@greenrayindustries.com