



T1300 Series TCXO

10 to 50 MHz

(Rev -)

GREENRAY INDUSTRIES, INC.

PRECISION QUARTZ TECHNOLOGY

Ultra-Low Acceleration Sensitivity
Low Phase Noise

SPECIFICATIONS

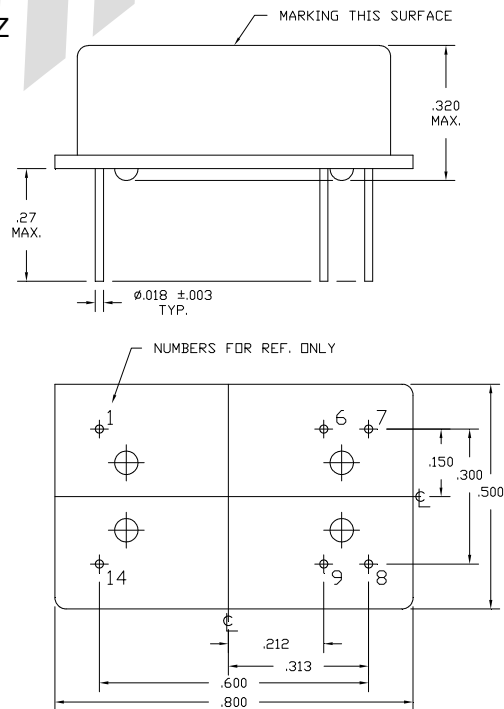
Frequency	10.0 to 50.0 MHz	
Output	CMOS Squarewave	
Symmetry	50% ± 5%	
Load	15pF/10kohm	
Temp Stability	Temp Range	Tolerance
	-40 to +85°C	±2x10 ⁻⁶
Freq vs. Supply	±1x10 ⁻⁷ for a 5% change	
Freq vs. Load	±1x10 ⁻⁷ for a 10% change	
Short Term	1x10 ⁻¹⁰ typ for 1 sec tau	
Aging	±0.5ppM/year after 14 days operation	
Input Voltage	+5.0VDC or +3.3VDC ± 5%	
Input Current	15mA max	
Warm Up Time	to within ±1ppM in 10msec	
Phase Noise	10 Hz -100 dBc/Hz	
(typical, 10MHz, +5V)	100 Hz -130 dBc/Hz	
	1 kHz -155 dBc/Hz	
	10 kHz -160 dBc/Hz	
	100 kHz -162 dBc/Hz	
G-Sensitivity	≤5x10 ⁻¹¹ /g, total gamma	
Frequency Adjust	±6.0 ppm typ, positive slope	
	0 to Vcc EFC, 50k ohm input Z	

Ordering Example:

T1300-5.0-10.0MHz
(Model-Inp V-Freq)

Pad Connections

- 1 - EFC
- 6 - N/C (used by factory)
- 7 - 0V/Gnd
- 8 - Output
- 9 - N/C (used by factory)
- 14 - Supply V



To inquire about available custom parameters, please contact us at sales@greenrayindustries.com.

840 West Church Rd., Mechanicsburg, PA 17055

Tel: 717-766-0223 Fax: 717-790-9509

www.greenrayindustries.com email: sales@greenrayindustries.com