



YH1300 Series OCXO

10MHz – 50MHz

(Rev -)

GREENRAY INDUSTRIES, INC.

PRECISION QUARTZ TECHNOLOGY

Miniature Package
Low Phase Noise vs. Vibration

SPECIFICATIONS

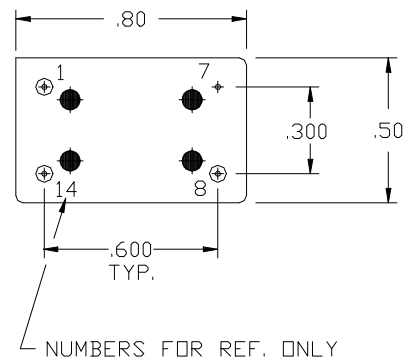
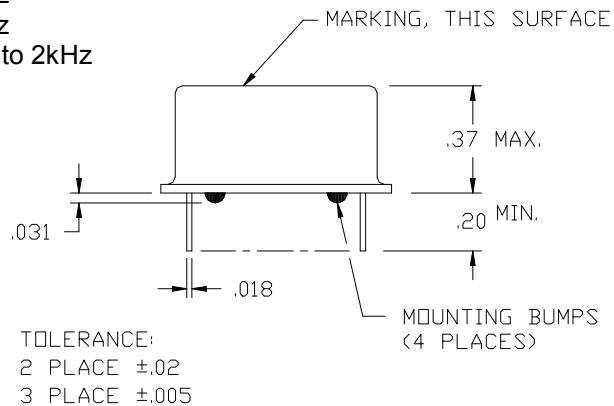
Frequency Output	10.0 MHz to 50.0 MHz CMOS Squarewave; 15pF load (Option C) Sinewave; 0dBm min into 50ohms (Option S)		
Harmonics	-20 dBc (Sinewave version)		
Symmetry	50% ± 10% (Squarewave version)		
Temp Stability	Temp Range	Tolerance	Option
	-10 to +60°C	±2x10 ⁻⁷	G27
	-20 to +70°C	±3x10 ⁻⁷	N37
	-40 to +70°C	±4x10 ⁻⁷	N47
	-40 to +85°C	±5x10 ⁻⁷	T57
Freq vs. Supply Aging	±3x10 ⁻⁹ for a 5% change <0.5ppM/yr		
Input Voltage	available in +5 or +3.3 VDC		
Input Power	Warmup - <3W for 5 minutes Idle – <1.0W @ +25°C		
Phase Noise (typ @ 10MHz, 5V)	10 Hz	-110 dBc/Hz	
	100 Hz	-135 dBc/Hz	
	1 kHz	-155 dBc/Hz	
	10 kHz	-158 dBc/Hz	
	100 kHz	-158 dBc/Hz	
Accel Sensitivity	<5x10 ⁻¹¹ /g, worst axis, DC to 2kHz		
Frequency Adjust	±5.0 ppm typ, positive slope 0 to Vsupply EFC		

Ordering Example:

YH1300-N37-S-5.0-10.0MHz
(Model-Stability-Output-InputV-Frequency)

Pin Connections

- 1 - EFC
- 7 - 0V/Gnd
- 8 - Output
- 14 - Supply V



To inquire about available custom parameters, please contact us at sales@greenrayindustries.com.

840 West Church Rd., Mechanicsburg, PA 17055

Tel: 717-766-0223 Fax: 717-790-9509

www.greenrayindustries.com email: sales@greenrayindustries.com