



ZT5060 Series TCXO

10 MHz - 30 MHz
(Rev. C)

GREENRAY INDUSTRIES, INC.

PRECISION QUARTZ TECHNOLOGY

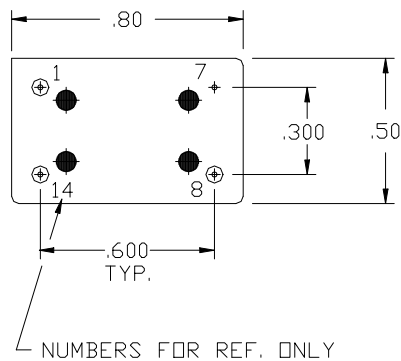
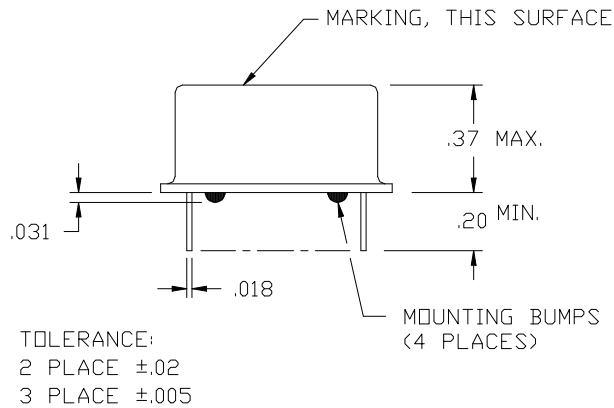
DIP Package
Low Phase Noise

SPECIFICATIONS

Frequency	10.0 MHz to 30.0 MHz		
Output	Squarewave, HCMOS		
Load	10 to 30pF		
Symmetry	50% ± 10%		
Temp Stability	Temperature	Tolerance	Option
	-20°C to +70°C	±1.0 ppM	N16
	-40°C to +85°C	±3.0 ppM	T36
Aging	<1ppM/yr		
Input Voltage	+8.0 VDC ±5%		
Freq vs. Input V	±3x10 ⁻⁷ for a 5% change		
Input Current	< 20mA		
Freq Adjust	via external resistor or potentiometer (50k) from Pin 1 to Gnd.		
Phase Noise	<u>Offset</u>	<u>dBc/Hz</u>	
(typ @ 10MHz)	10 Hz	-105	
	100 Hz	-135	
	1 kHz	-155	
	10 kHz	-163	
	100 kHz	-165	

Ordering Example:
ZT5060-N16-10.0 MHz
(Model-Stability-Frequency)

- Pin Connections**
- 1 - Ext Resistor
 - 7 - 0 V & Case Gnd
 - 8 - Output
 - 14 - Supply V



To inquire about available custom parameters, please contact us at sales@greenrayindustries.com.

840 W. Church Rd., Mechanicsburg, PA 17055

Tel: 717-766-0223 Fax: 717-790-9509

www.greenrayindustries.com email: sales@greenrayindustries.com